



Solar Carport Introduction and Projects

Xiamen Huge Energy Stock Co., Ltd

Tiffany Locke
en.sales01@hugergy.com

Feb. 25, 2023



PART I

Introduction



1. Introduction

Xiamen Huge Energy offers **GLUE FREE waterproof** solar carports
made of **steel** or **aluminum**

take full advantage of large parking area for the purpose of **producing electricity**
while providing **shaded or covered parking** to autos.

ADVANTAGE

1

Offer simplified and economical alternatives to complex and expensive roof mount systems.

2

Utilize existing parking areas to generate power without sacrificing valuable real estate.

3

Require little to no maintenance and allow easy access to panels for service and repair.



1. Introduction

Solar Carport Solutions



One Column Single Lane (Canopy)



One Column Single Lane (T Shape)



Two Column Single Lane



Louvered Single Lane



One Column Double Lane



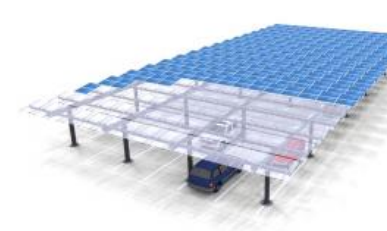
Two Column Double



Three Column Double

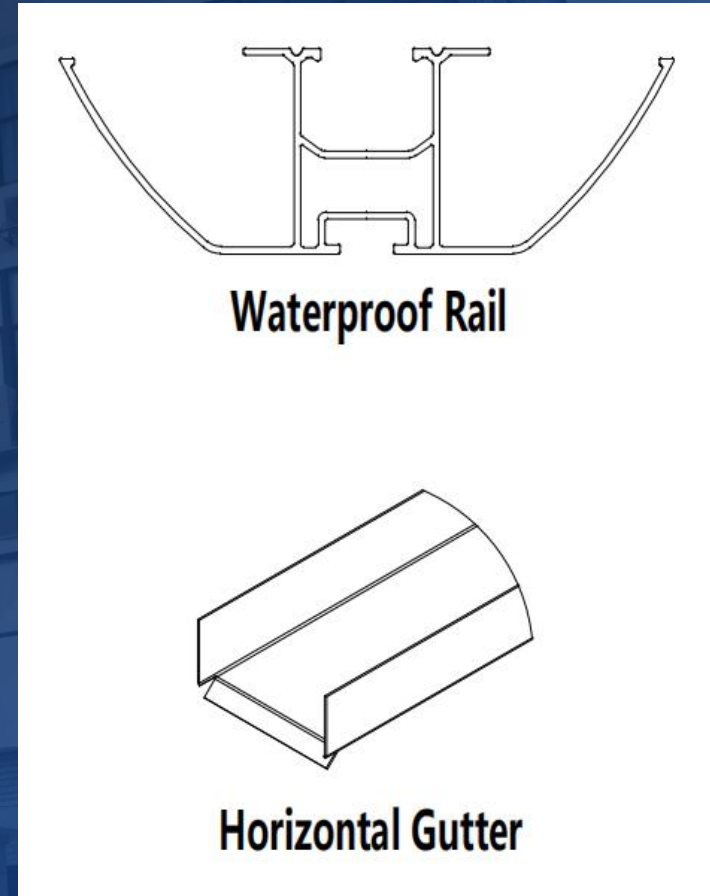
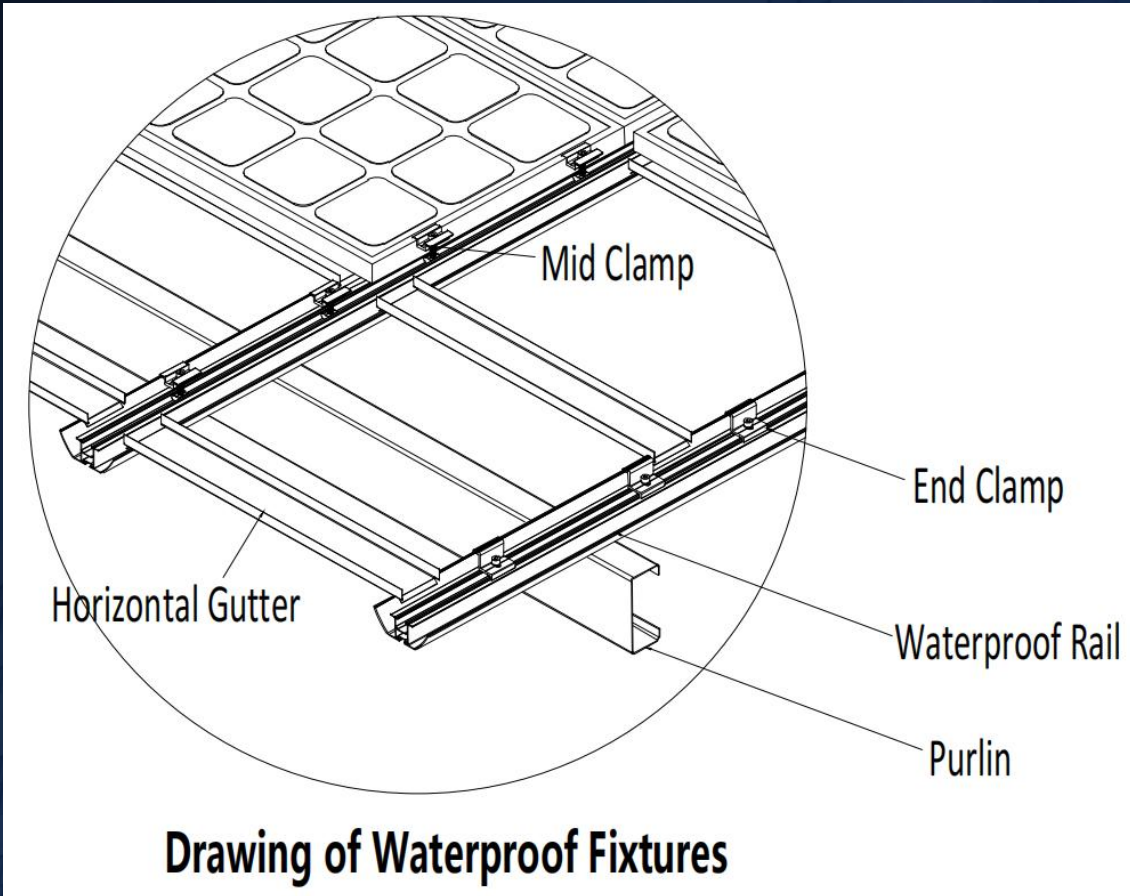


Louvered Double

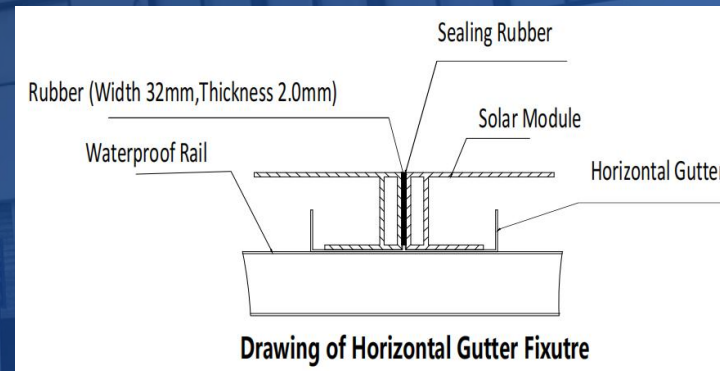
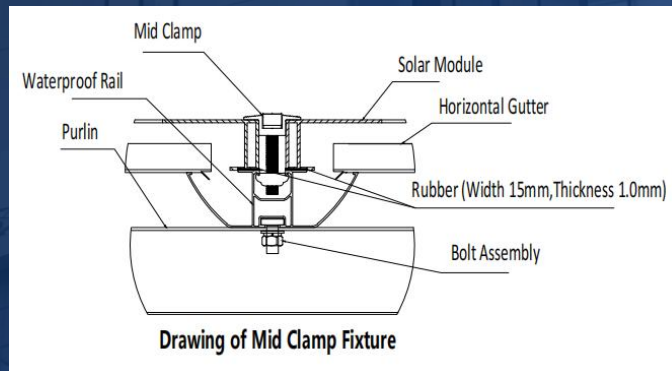
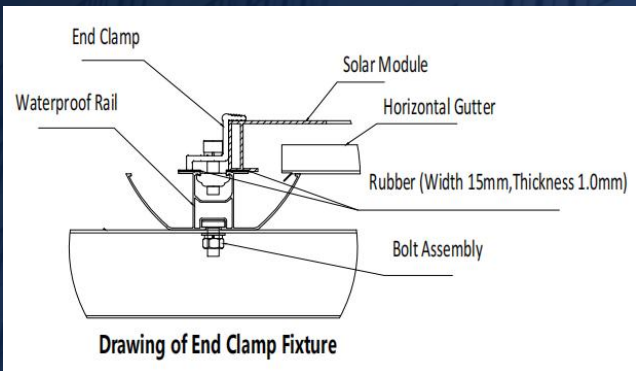
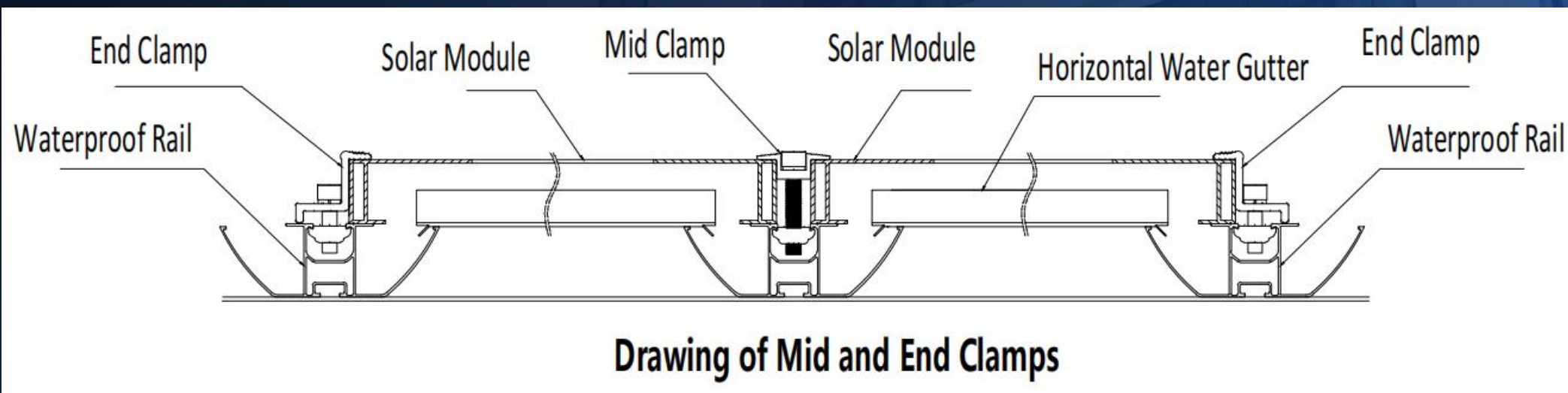


Louvered Multi Lane

Technical Drawings of Waterproof Fixtures



Technical Drawings of Waterproof Fixtures





PART II

Projects



2. Projects

Project Name

CATL CHD 120MW Waterproof Solar Cartports



Location

Fujian, Jiangsu, Canton, China

Installed Capacity

120MW (accommodates 32,000 cars)

COD / Status

February, 2023

Features

1. Waterproof without Glue
2. Easy and Fast Installation
3. Simple and Elegant Structure





2. Projects

Project Name

TSMC 2MW Waterproof Solar Carport

Location

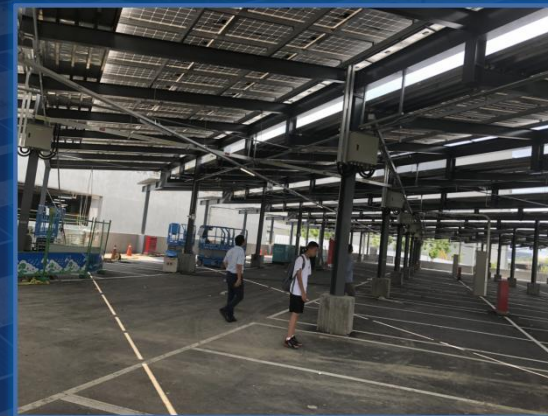
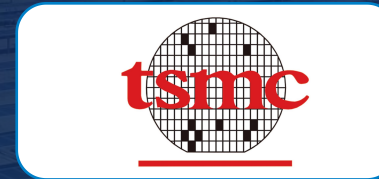
Taiwan, China

Installed Capacity

2MW

COD / Status

May, 2020





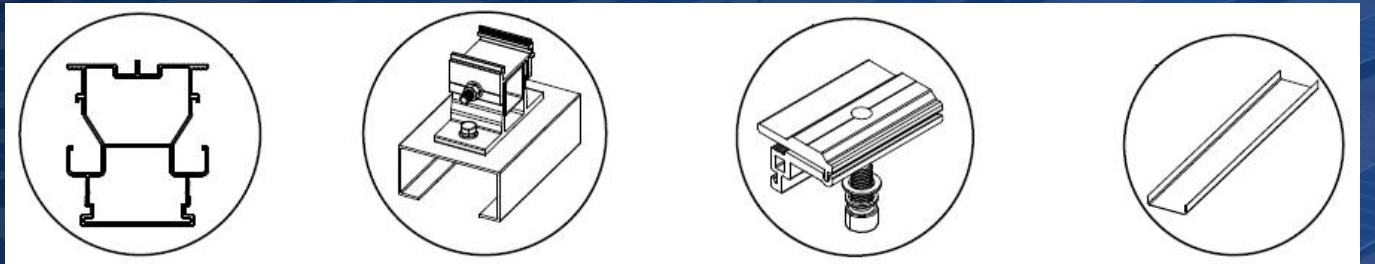
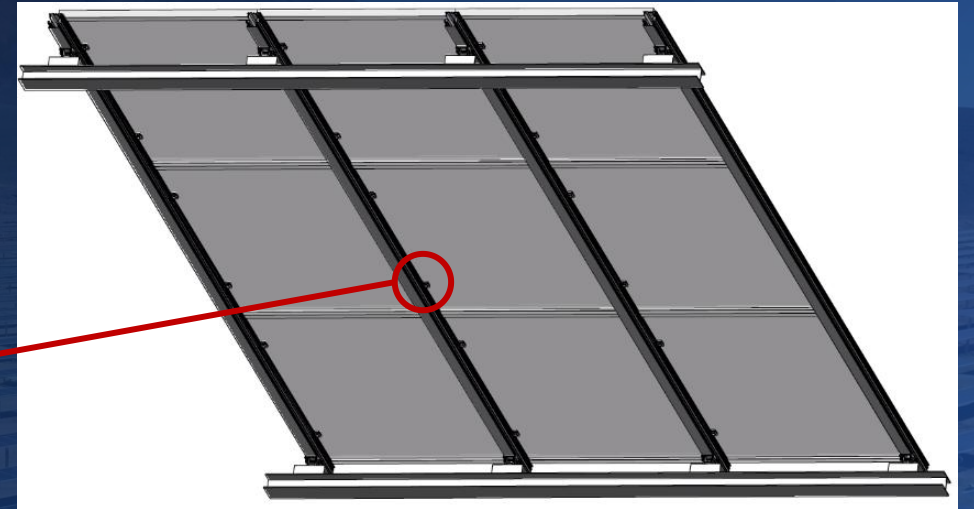
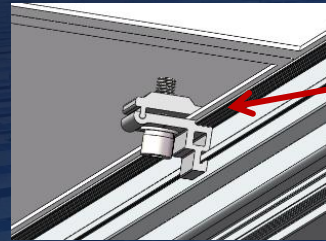
2. Projects

Project Name

TSMC 2MW Waterproof Solar Carport

Features

1. Waterproof
2. No connector is needed for horizontal gutter
3. Back clamp
4. Square column inside the rail connector to strength the adaptor



Waterproof Rail

Rail Connector

Back Clamp

Horizontal Gutter



2. Projects

Project Name

Osaka 2MW Aluminum Waterproof Solar Carport

Location

Osaka, Japan

Installed Capacity

2MW

COD / Status

May, 2019

Features

1. Aluminum structure
2. Salt fog area





THANK YOU!